



Part number

# CHO 24 L



## Brief description:

hoods for single lever, size "104.27", side entry, Pg21, metal version, IP66

Product description		Approvals / Standards	
Version	metal version	Quality mark	 (type:4/4X/12),  , EAC
Series	hoods for single lever	Conformity	CQC, CE
Product type	with 2 pegs	<b>General ordering information</b>	
Variant	side entry	EAN13 code	8015747020084
Family	CLASS enclosures	Tariff number	85369095
Size	size "104.27"	<b>Packaging Information</b>	
<b>Technical data</b>		Packaging length	255,00 mm
Material	metal	Packaging height	150,00 mm
IP degree of protection	IP66 (and IP69K DIN 40050 - 9)	Packaging width	180,00 mm
Cable entry	Pg21	Packaging weight	2,40 kg
<b>Further technical details</b>		Packaging volume	6,89 dm <sup>3</sup>
Weight	203,00 g	Packaging description	Carton box
		Packaging quantity	10 Pcs
		Packaging EAN code	8015747020091
		Sub-packaging weight	1,20 kg
		Sub-packaging description	Plastic pakaging
		Sub-packaging quantity	5 Pcs
		Sub-packaging EAN barcode	8015747020107

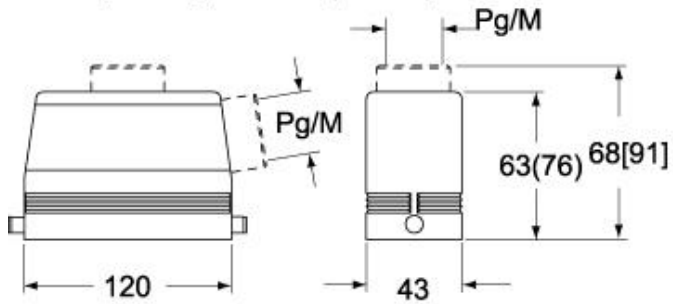
Part number

# CHO 24 L



Catalogue drawings

**CHO L (CAO L) - MHO L [MAO L]  
CHV L [CAV L] - MHV L (MAV L)**



**CHV LG (CAV LG), MHV LG (MAV LG) [MFV LG]**

